

**BagBoy®**

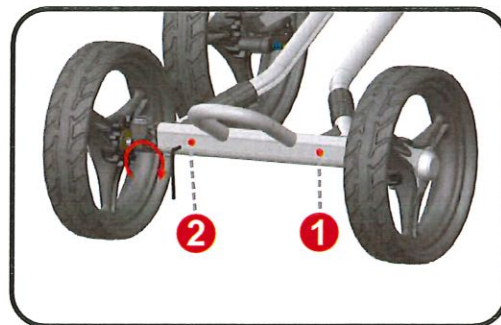
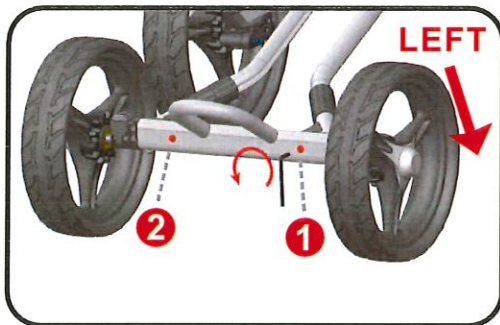
## QUAD XL TRACKING ADJUSTMENT Instructions

For further assistance contact us at 1-800-955-2269 or bagboy.com

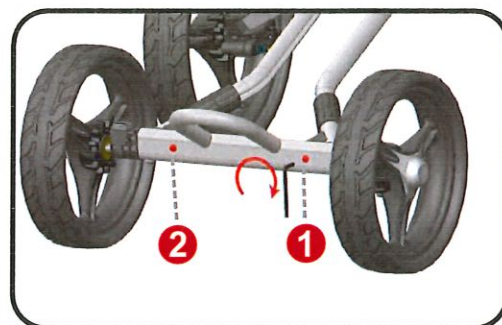
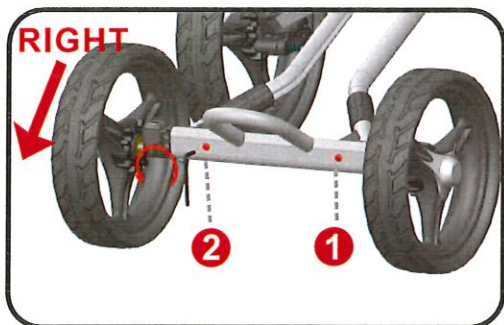
### QUAD XL / JUNIOR FRONT WHEEL ALIGNMENT

If your cart does not track straight, you can easily align the wheels by following these steps.

Stand in front of the cart, locate the Allen head screw on front wheel frame tube.



If your cart pulls to the left, tighten the **1** screw by turning counterclockwise. If it still pulls to left, tighten the **2** screw clockwise.



If your cart pulls to the right, tighten the **2** screw by turning counterclockwise. If it still pulls to right side, tighten the **1** screw clockwise.